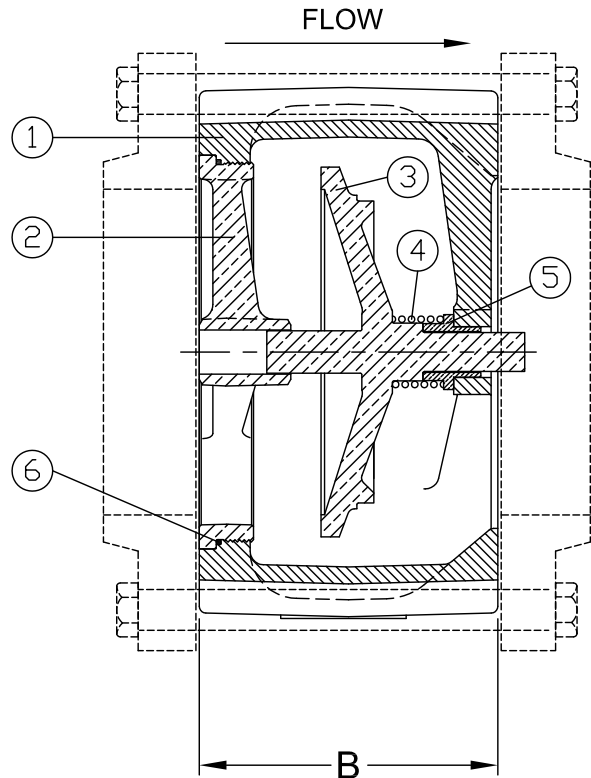
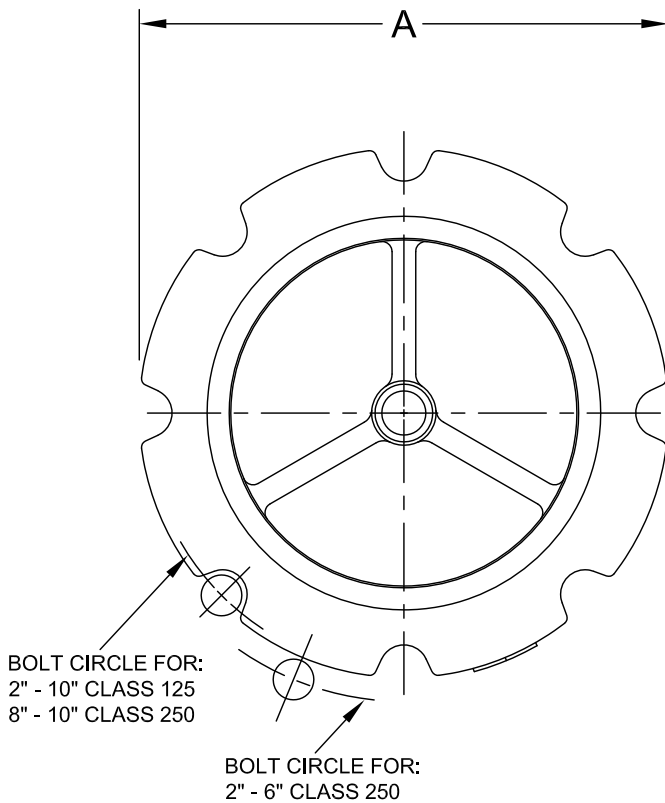


FLANGES, BOLTS, NUTS AND GASKETS SUPPLIED BY OTHERS.



VALVE DEPICTS 6 INCH SIZE TO SCALE.  
SEE DRAWING NO. VM-1402A-M FOR STANDARD MATERIALS OF CONSTRUCTION.

VALVE SIZE	MODEL NO. *	ANSI CLASS	CWP PSI	A	B
2	1402A	125/250	400	4.25	2.63
2.5	1425A	125/250	400	5.00	2.88
3	1403A	125/250	400	5.75	3.13
4	1404A	125/250	400	7.00	4.00
5	1405A	125/250	400	8.75	4.75
6	1406A	125/250	400	9.75	5.50
8	1408A	125	200	13.38	6.50
8 **	1458A	250	400	13.38	6.50
10	1410A	125	200	16.00	8.25
10 **	1460A	250	400	16.00	8.25

\* MODEL NUMBERS REFLECT BRONZE TRIM.

\*\* NOT FM APPROVED.

Revised 1-28-11

WAFER STYLE SILENT CHECK VALVE

DATE 2-16-10



VALVE AND MANUFACTURING CORP.

DRWG. NO.

VMC-1402A